

REVISION	BY	REVISION DESCRIPTION	DATE

EVALUATION BASED ON:
FENESTRATION TESTING LABORATORY, INC.

LABORATORY No.: 4633
DATE: JUNE 6, 2005
REPORT No.: 1
FILE NUMBER: 05-422
ASTM TESTING PROTOCOLS: E330, E1886, E1996-02
OVERALL SIZE: 128.5 X 276"
DESIGN LOAD: 60 PSF
STRUCTURAL LOAD: 90 PSF

AND

LABORATORY No.: 4634
DATE: JUNE 6, 2005
REPORT No.: 2
FILE NUMBER: 05-422
ASTM TESTING PROTOCOL: E330, E1886, E1996-02
OVERALL SIZE: 128.5 X 276"
DESIGN LOAD: 60 PSF
STRUCTURAL LOAD: 90 PSF

AND

LABORATORY No.: 4749
DATE: DECEMBER 7, 2005
REPORT No.: 3
FILE NUMBER: 05-422
ASTM TESTING PROTOCOL: E330, E1886, E1996-02
OVERALL SIZE: 90.5"x154"
DESIGN LOAD: 60 PSF
STRUCTURAL LOAD: 90 PSF

AND

LABORATORY No.: 4750
DATE: DECEMBER 7, 2005
REPORT No.: 4
FILE NUMBER: 05-422
ASTM TESTING PROTOCOL: E330, E1886, E1996-02
OVERALL SIZE: 229"x154"
DESIGN LOAD: 60 PSF
STRUCTURAL LOAD: 90 PSF

AND

HURRICANE ENGINEERING & TESTING, INC.

REPORT No.: HETI-00-946
REVISED DATE: JANUARY 15, 2004
TESTING PROTOCOL: PA 202-94 & ASTM E330-90
OVERALL SIZE: 83"x114"
DESIGN LOAD: 60 PSF
STRUCTURAL LOAD: 90 PSF

AND

REPORT No.: HETI-00-959
REVISED DATE: JANUARY 16, 2004
TESTING PROTOCOL: PA 201-94 & PA 203-94
OVERALL SIZE: 83"x114"
DESIGN LOAD: 60 PSF
STRUCTURAL LOAD: 90 PSF

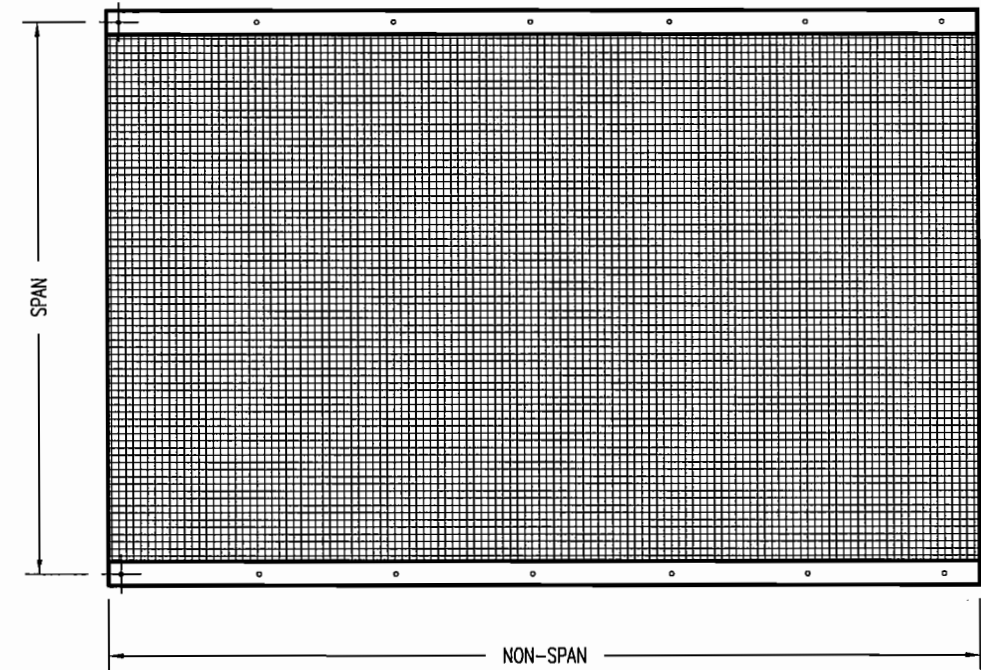
GENERAL NOTES:

- THIS PRODUCT EVALUATION DOCUMENT SHALL BE USED TO OBTAIN NO MORE THAN ONE BUILDING PERMIT. MASTER PERMITTING OF THIS PRODUCT EVALUATION DOCUMENT IS SPECIFICALLY NOT AUTHORIZED.
- THE STORM CATCHER WIND ABATEMENT SCREEN SYSTEM SHOWN ON THIS PRODUCT EVALUATION DOCUMENT HAS BEEN DESIGNED IN ACCORDANCE WITH FLORIDA BUILDING CODE, 2004. THIS SCREEN SYSTEM SHALL NOT BE INSTALLED IN HIGH VELOCITY HURRICANE ZONE AS DEFINED BY FLORIDA BUILDING CODE, 2004 (DADE COUNTY AND BROWARD COUNTY).
- DESIGN WIND LOADS SHALL BE DETERMINED IN ACCORDANCE WITH:
FLORIDA BUILDING CODE, 2004, SECTION 1609
ASCE 7-02
BASIC WIND SPEED AS REQUIRED BY THE JURISDICTION WHERE THE SCREEN SYSTEM WILL BE INSTALLED.
- FENESTRATION TESTING LABORATORY, INC. AND HURRICANE ENGINEERING & TESTING INC. HAVE VERIFIED ADEQUACY FOR IMPACT, DEFLECTION AND FATIGUE RESISTANCE, FOR THIS SCREEN SYSTEM, IN ACCORDANCE WITH:
FLORIDA BUILDING CODE, 2004, SECTION 1609.1.4
ASTM E330
ASTM E1886
ASTM E1996
AS PER THEIR RESPECTIVE REPORTS LISTED ON THIS PAGE.
- ALL ALUMINUM EXTRUSIONS SHALL BE 6063-T6 ALLOY (UNLESS OTHERWISE NOTED).
- ALL FASTENERS SHALL HAVE A 50 KSI YIELD POINT AND 90 KSI ULTIMATE TENSILE STRENGTH AND BE:
CORROSION RESISTANT COATED STEEL, PER DIN50018
OR STAINLESS STEEL 304 SERIES
OR STAINLESS STEEL 318 SERIES
- SCREEN SYSTEM CAN BE INSTALLED VERTICAL OR HORIZONTAL.
- POSITIVE AND NEGATIVE DESIGN PRESSURE REQUIRED BY THE INSTALLATION SITE TO BE DETERMINED BY OTHERS IN ACCORDANCE WITH:
THE FLORIDA BUILDING CODE, 2004
ASCE 7-02
- THIS PRODUCT EVALUATION DOCUMENT IS GENERIC AND DOES NOT PROVIDE INFORMATION FOR SOME SITE SPECIFIC INSTALLATIONS. ANY SITE CONDITION NOT COVERED BY THIS ENGINEERING INSTALLATION DRAWING WILL REQUIRE A FLORIDA LICENSED ENGINEER TO PREPARE SITE SPECIFIC DRAWINGS FOR USE IN CONJUNCTION WITH THIS DOCUMENT.
- NO GLASS SEPARATION REQUIRED FOR SCREEN SYSTEM INSTALLATION.
- ALL SCREEN PANELS SHALL BE PERMANENTLY LABELED WITH AT LEAST ONE LABEL STATING:
STORM CATCHER
OPENING NO. #
FL PRODUCT APPROVAL NO. #

PRODUCT EVALUATION NOTES:

- THIS PRODUCT EVALUATION DOCUMENT PREPARED BY THIS ENGINEER IS GENERIC AND MAY NOT PROVIDE ALL INFORMATION FOR SOME SITE SPECIFIC PROJECTS; i.e. WHERE THE SITE CONDITIONS DEVIATE FROM THE PRODUCT EVALUATION DOCUMENT.
- CONTRACTOR SHALL BE RESPONSIBLE FOR THE SELECTION, PURCHASE AND INSTALLATION OF THIS PRODUCT, BASED ON THIS PRODUCT EVALUATION DOCUMENT, PROVIDED HE/SHE DOES NOT DEVIATE FROM THE CONDITIONS DETAILED ON THIS DOCUMENT.
- THIS PRODUCT EVALUATION DOCUMENT WILL BE CONSIDERED INVALID IF ALTERED (i.e. HIGHLIGHTED, MARKED ETC.) BY ANY MEANS.
- SITE SPECIFIC PROJECTS SHALL BE PREPARED BY A FLORIDA LICENSED ENGINEER WHO WILL BECOME THE ENGINEER OF RECORD FOR THAT SPECIFIC PROJECT AND WILL BE RESPONSIBLE FOR THE PROPER USE OF THIS PRODUCT EVALUATION DOCUMENT. ENGINEER OF RECORD, ACTING AS A DELEGATED ENGINEER TO THE PRODUCT EVALUATION DOCUMENT ENGINEER SHALL SUBMIT, TO THE LATTER, THE SITE SPECIFIC DRAWINGS FOR REVIEW.
- THIS PRODUCT EVALUATION DOCUMENT SHALL BEAR THE DATE AND ORIGINAL SEAL AND SIGNATURE OF THE PROFESSIONAL ENGINEER OF RECORD THAT PREPARED IT.

ANCHOR NOTES:
A. ALL FASTENER LENGTHS SHOWN ARE MINIMUM REQUIRED EMBEDMENT.
B. EMBEDMENT AND EDGE DISTANCE SHOWN ARE BEYOND THE WALL AND FLOOR COVERINGS (i.e. STUCCO, TILE, ETC.).
C. NO EMBEDMENT INTO STUCCO, TILE, ETC., SHALL BE CONSIDERED PART OF THE REQUIRED EMBEDMENT.

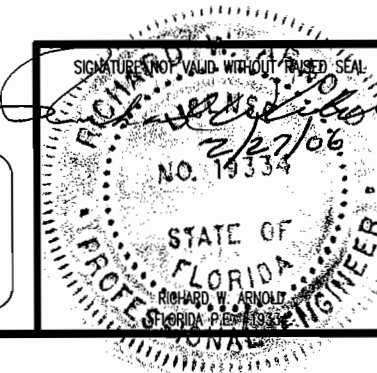


TYPICAL VERTICAL INSTALLATION

MAX. DESIGN PRESSURE = ±60.0 PSF

- LIMITATIONS OF USE:**
- THIS PRODUCT IS NOT TO BE USED IN HIGH VELOCITY HURRICANE ZONES.
 - MAXIMUM SPAN: 154"
 - MAXIMUM NON-SPAN: UNLIMITED
 - MAXIMUM DESIGN PRESSURE: ±60.0 PSF

ENGINEERING REVIEW BY:
ARNOLD/SANDERS CONSULTING ENGINEERS, INC.
16681 MCGREGOR BLVD., SUITE 202
FORT MYERS, FL 33908
PHONE: (239) 267-3666

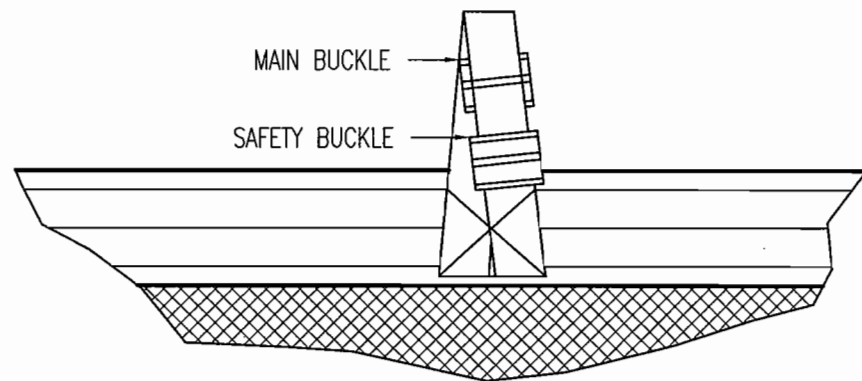


**Storm Catcher
Wind Abatement Screen System**

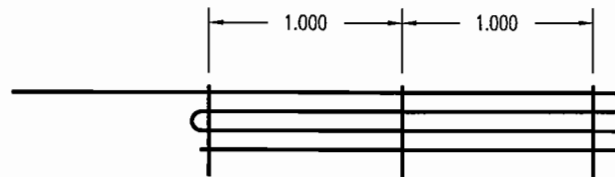
STORM CATCHER, INC.
6213 IDLEWILD STREET, FORT MYERS, FL 33912
(239) 938-2760 <http://www.stormcatcher.net> JN: 4731

DATE: 23 FEB. 2006	DRAWING: SC 02-06	REV.:
SCALE: NOT TO SCALE	SHEET: 1 OF 8	

REVISION	BY	REVISION DESCRIPTION	DATE



ADJUSTABLE STRAP DETAIL



STITCHING DETAIL

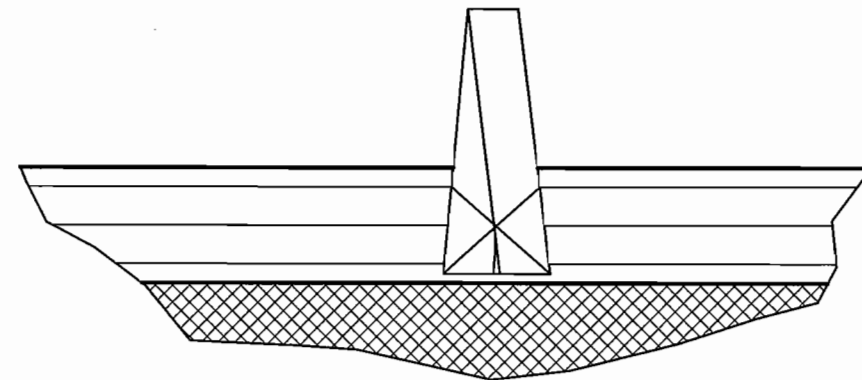
FABRIC SPECIFICATION:
 FIBER CONTENT: 100% POLYPROPYLENE
 CONSTRUCTION: 3/4 BASKET-WEAVE, WARP - 60 ENDS PER INCH, WEFT - 50 ENDS PER INCH
 FINISH: CALENDERED
 WEIGHT (ASTM D-3776): 7.6 -OZ/SQUARE YARD
 TENSILE STRENGTH: WARP - 540 lbs., WEFT - 425 lbs.
 BURST STRENGTH (ASTM D - 4632): 825 PSI
 TEAR STRENGTH: WARP - 200 lbs., WEFT - 170 lbs.
 PUNCTURE STRENGTH (ASTM D -4833) 190 lbs.
 AIR FLOW: 230 CFM
 UV RETENTION (ASTM D-G154): 90%

STRAP/BUCKLE
 PATTERN: X100-1000
 WIDTH/DIAMETER: 1.875 +/- .063
 THICKNESS: .050" +/- .010"
 AVERAGE BREAKING STRENGTH: 5000 lbs.
 MATERIAL: POLYESTER

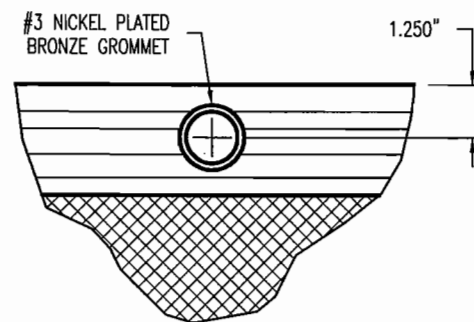
SEWING:
 3 SINGLE ROWS OF STRAIGHT STITCH AT INTERVALS OF 6 MM USING 138 DENIER POLYESTER THREAD.

EDGES:
 3.500 QUAD FOLDED ALL AROUND THE PERIMETER THREE CONTINUOUS SEWING @ 1.500" O.C.

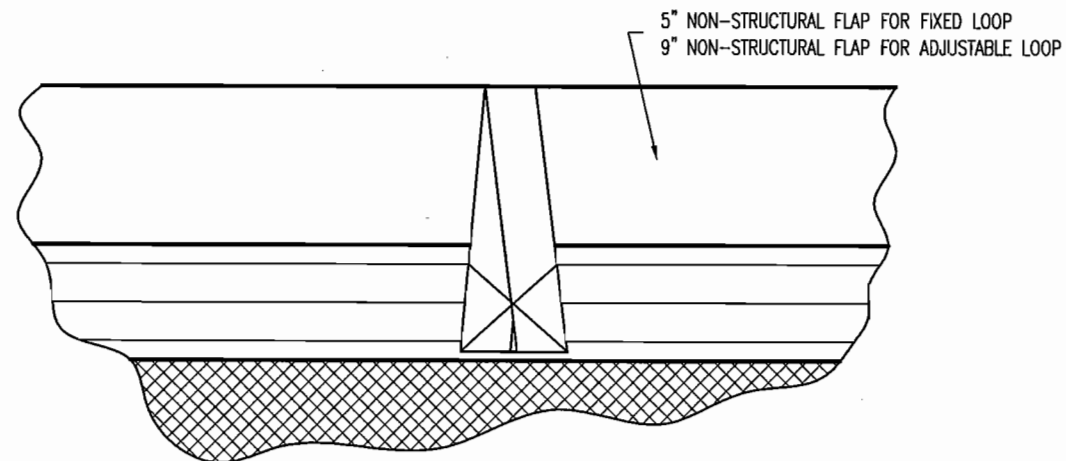
GROMMETS:
 #3 NICKEL PLATED BRONZE GROMMETS PLACED AT 1.250" IN FROM THE EDGE OF THE SCREEN.



FIXED STRAP DETAIL



GROMMET DETAIL

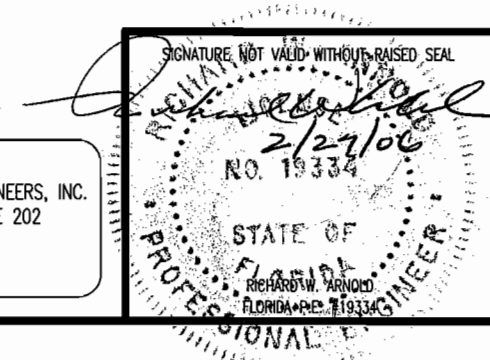


FLAP DETAIL

MAX. DESIGN PRESSURE = ±60.0 PSF

SCREEN FABRICATION DETAILS

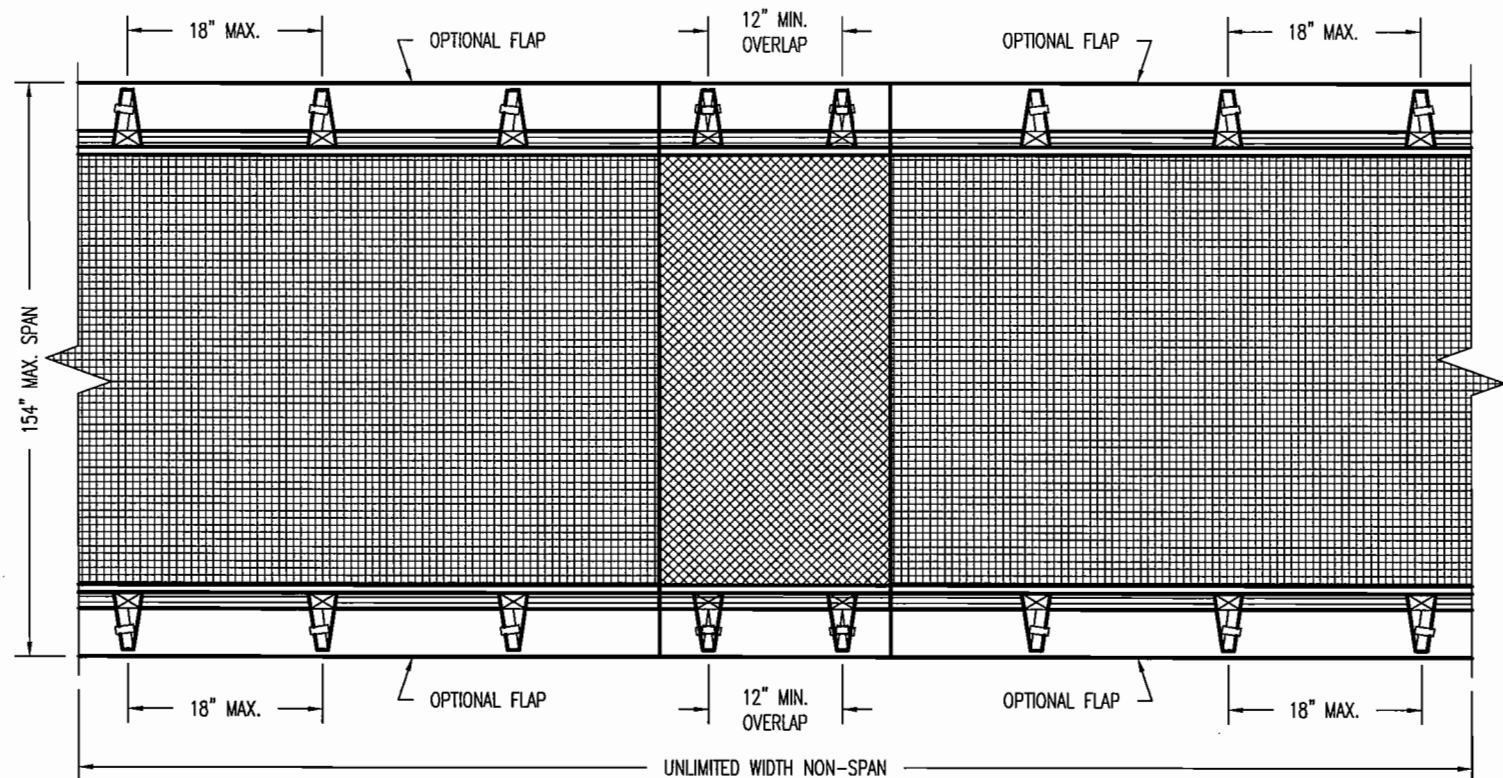
ENGINEERING REVIEW BY:
 ARNOLD/SANDERS CONSULTING ENGINEERS, INC.
 16681 MCGREGOR BLVD., SUITE 202
 FORT MYERS, FL 33908
 PHONE: (239) 267-3666



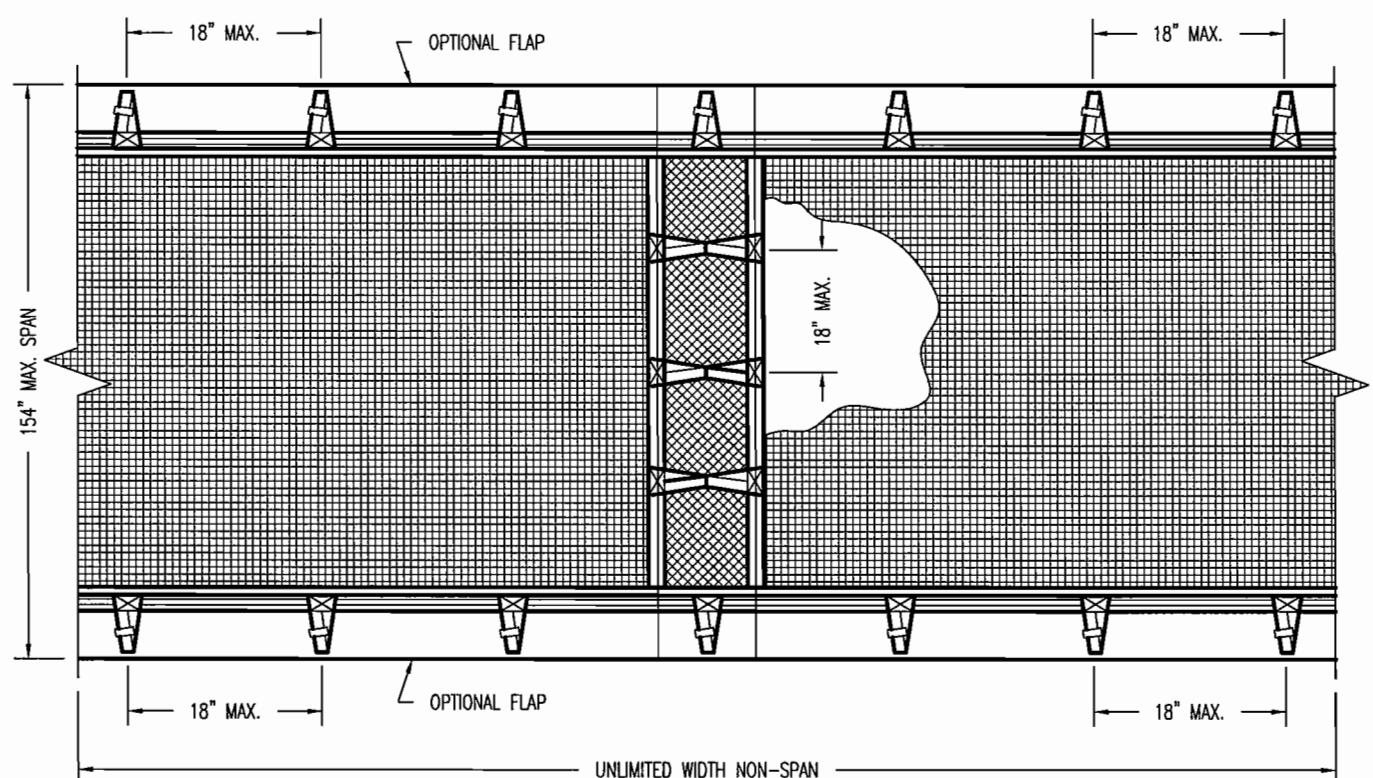
Storm Catcher Wind Abatement Screen System		
STORM CATCHER, INC. 6213 IDLEWILD STREET, FORT MYERS, FL 33912 (239) 938-2760 http://www.stormcatcher.net		
DATE: 23 FEB. 2006	DRAWING: SC 02-06	REV.:
SCALE: NOT TO SCALE	SHEET: 2 OF 8	

JN: 4731

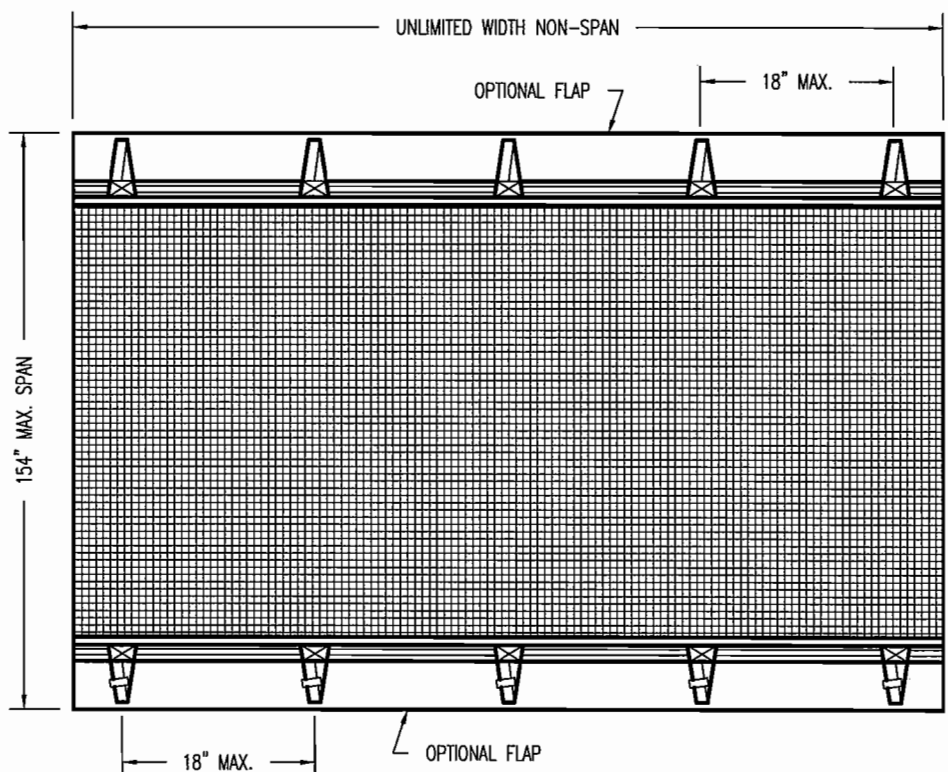
REVISION	BY	REVISION DESCRIPTION	DATE



OPT. 1 MULTI-PANEL VERTICAL INSTALL DETAIL



OPT. 2 MULTI-PANEL VERTICAL INSTALL DETAIL



SINGLE PANEL VERTICAL INSTALL DETAIL

MOUNTING NOTES:
 SCREEN CAN BE MOUNTED VERTICALLY OR HORIZONTALLY.
 FLAP OVER FIXED LOOP = 5"
 FLAP OVER ADJUSTABLE LOOP = 9"
 STRAP/LOOP PARTIALLY ATTACHED TO THE FLAP IS OPTIONAL AND NOT REQUIRED

MAX. DESIGN PRESSURE = ±60.0 PSF

LOOP AND STRAP TWO SIDE ATTACHMENT INSTALLATION DETAILS

ENGINEERING REVIEW BY:
 ARNOLD/SANDERS CONSULTING ENGINEERS, INC.
 16681 MCGREGOR BLVD., SUITE 202
 FORT MYERS, FL 33908
 PHONE: (239) 267-3666

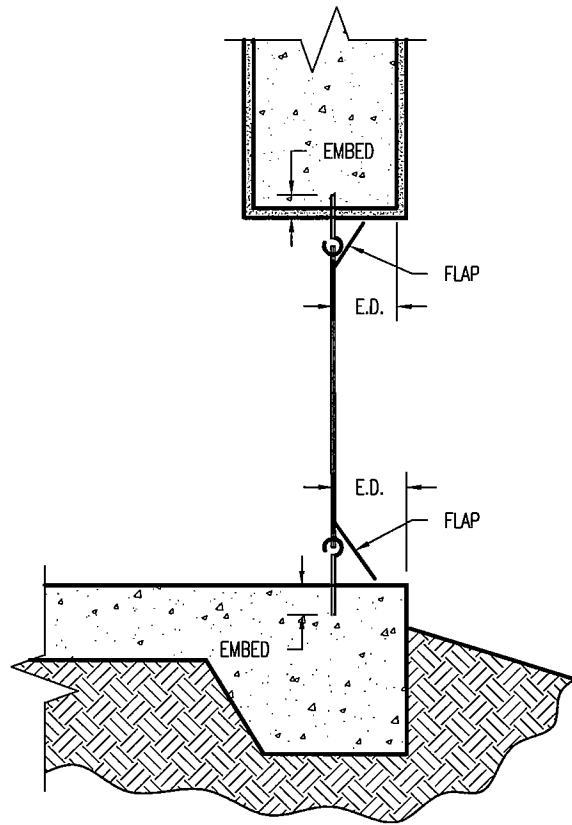


Storm Catcher Wind Abatement Screen System		
STORM CATCHER, INC. 6213 IDLEWILD STREET, FORT MYERS, FL 33912 (239) 938-2760 http://www.stormcatcher.net		
DATE: 23 FEB. 2006	DRAWING: SC 02-06	REV.:
SCALE: NOT TO SCALE	SHEET: 3 OF 8	

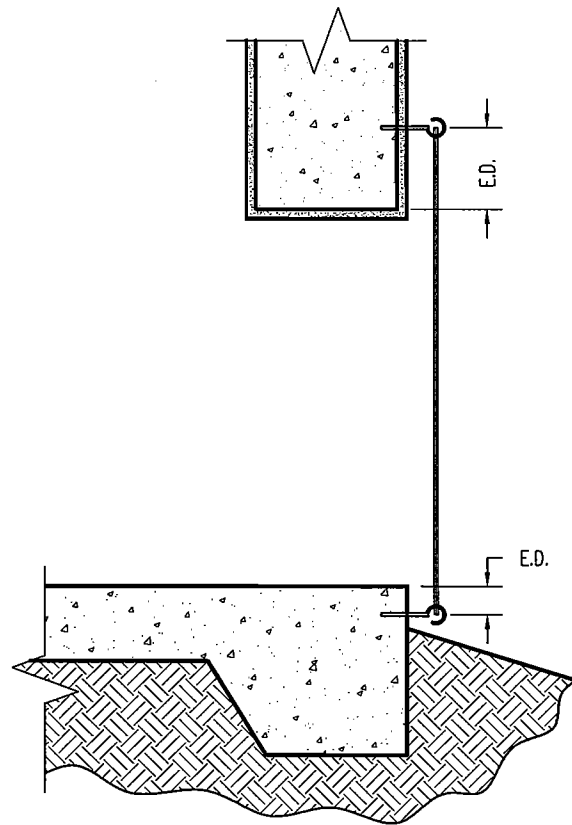
JN: 4731

REVISION	BY	REVISION DESCRIPTION	DATE

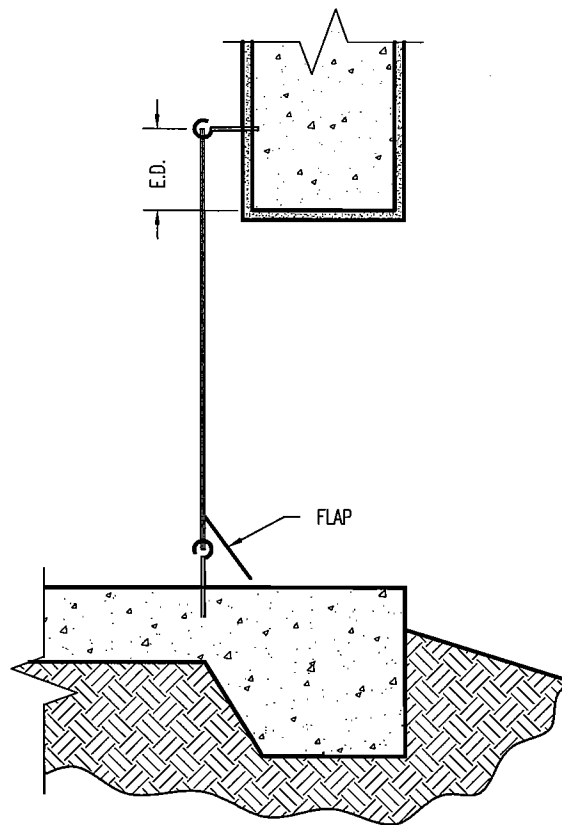
ANCHOR NOTES:
A. ALL FASTENER LENGTHS SHOWN ARE MINIMUM REQUIRED EMBEDMENT.
B. EMBEDMENT AND EDGE DISTANCE SHOWN ARE BEYOND THE WALL AND FLOOR COVERINGS (i.e. STUCCO, TILE, ETC.).
C. NO EMBEDMENT INTO STUCCO, TILE, ETC., SHALL BE CONSIDERED PART OF THE REQUIRED EMBEDMENT.



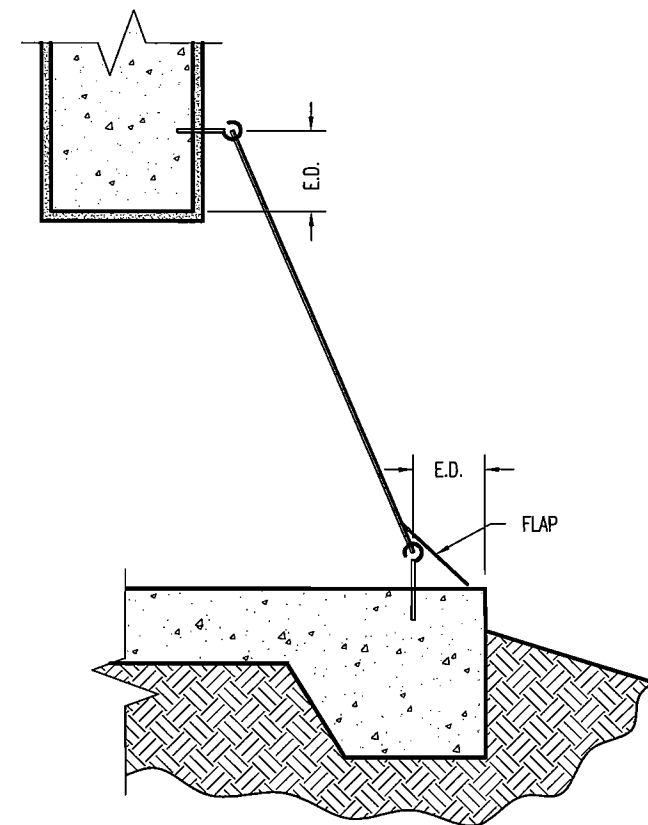
DETAIL - A
VERTICAL WITHIN THE OPENING



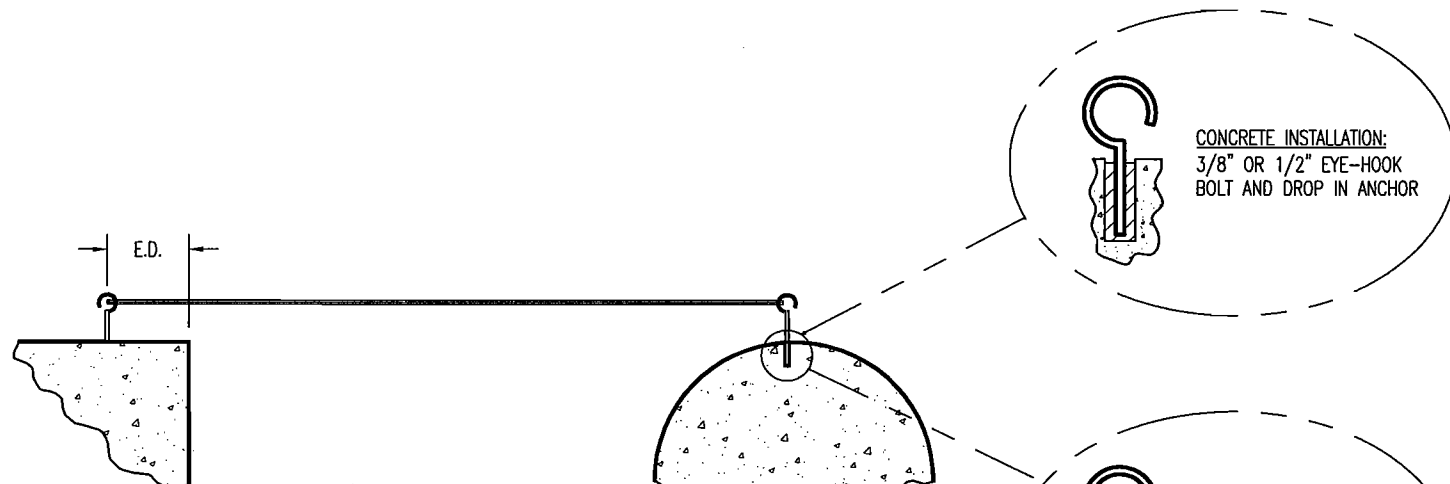
DETAIL - B
VERTICAL OUTSIDE OF THE OPENING



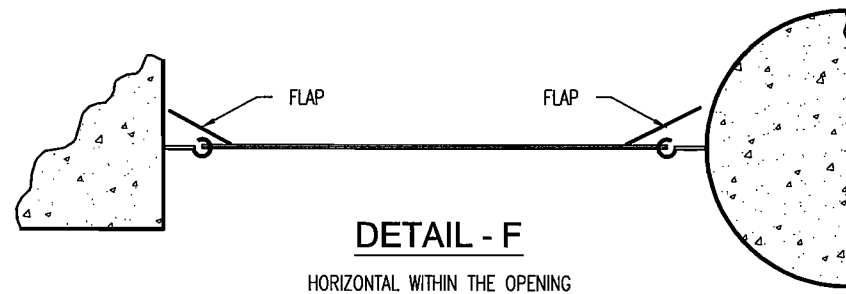
DETAIL - C
VERTICAL INSIDE OF THE OPENING



DETAIL - D
VERTICAL ANGLED OUTSIDE OF THE OPENING



DETAIL - E
HORIZONTAL OUTSIDE OF THE OPENING



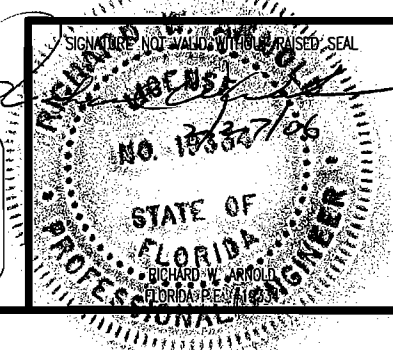
DETAIL - F
HORIZONTAL WITHIN THE OPENING

EDGE DISTANCE & EMBEDMENT NOTE:
CONCRETE INSTALLATION E.D. = 3.5"
CONCRETE EMBEDMENT = 2.5"
WOOD INSTALLATION E.D. = 0.75"
WOOD EMBEDMENT = 2.5"

MAX. DESIGN PRESSURE = ±60.0 PSF

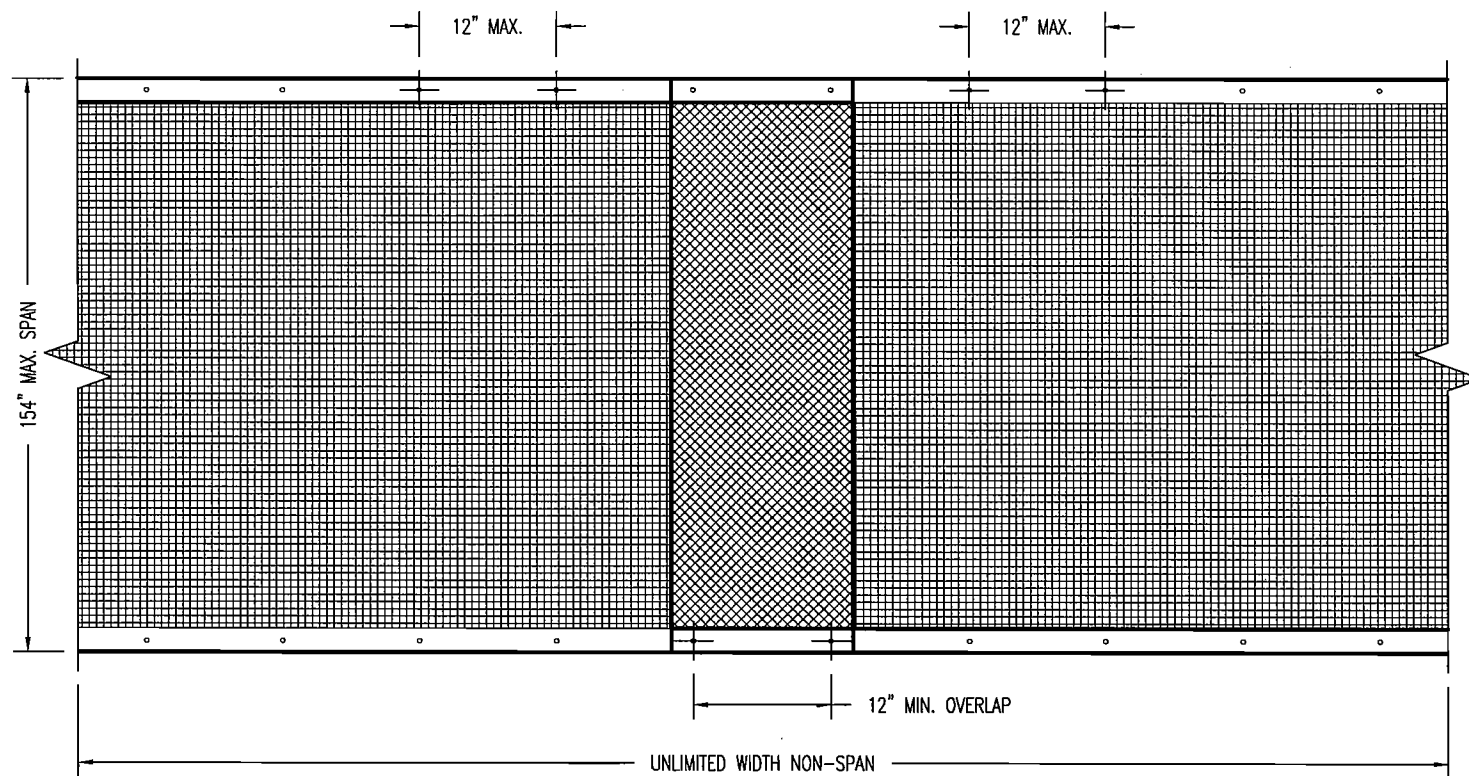
STRAP INSTALLATION DETAILS

ENGINEERING REVIEW BY:
ARNOLD/SANDERS CONSULTING ENGINEERS, INC.
16681 MCGREGOR BLVD., SUITE 202
FORT MYERS, FL 33908
PHONE: (239) 267-3666

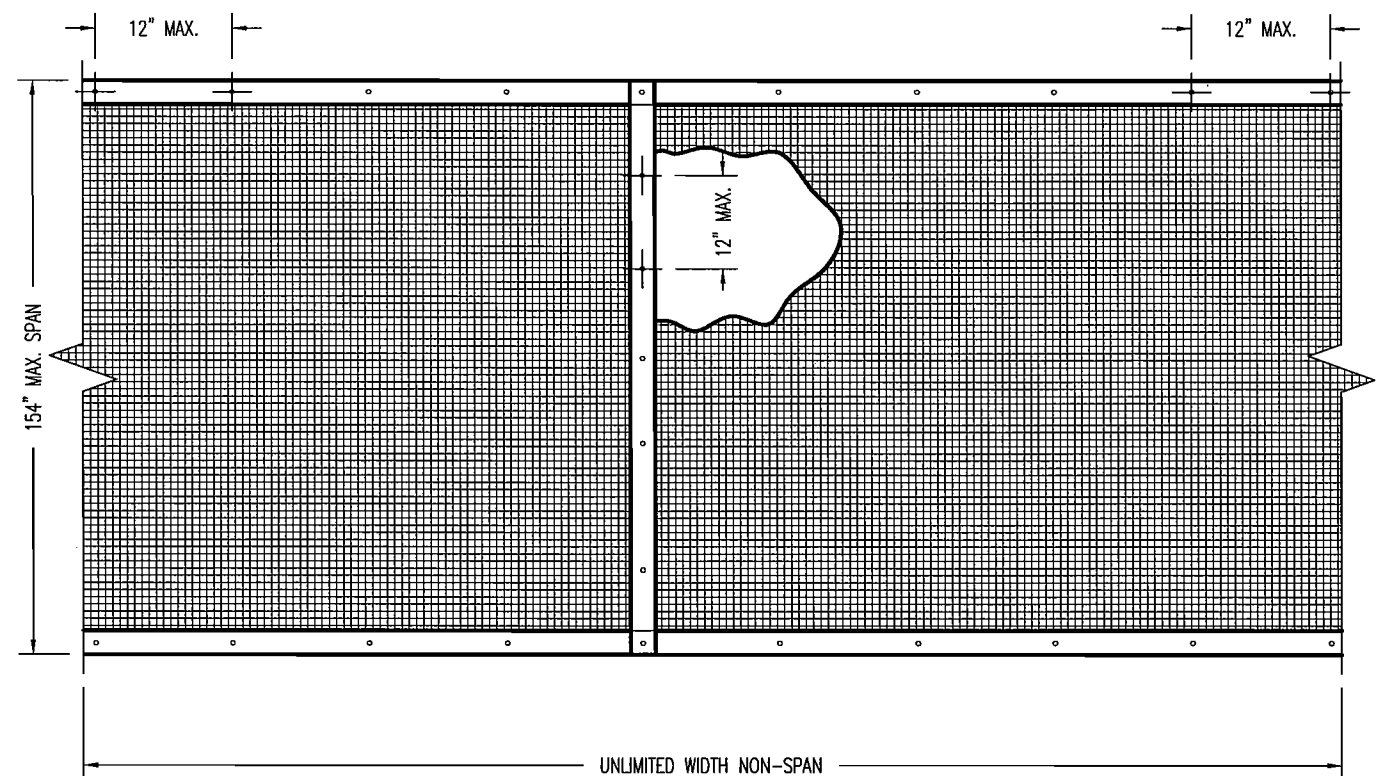


Storm Catcher
Wind Abatement Screen System
STORM CATCHER, INC.
6213 IDLEWILD STREET, FORT MYERS, FL 33912
(239) 938-2760 <http://www.stormcatcher.net> JN: 4731
DATE: 23 FEB. 2006 DRAWING: SC 02-06 REV.:
SCALE: NOT TO SCALE SHEET: 4 OF 8

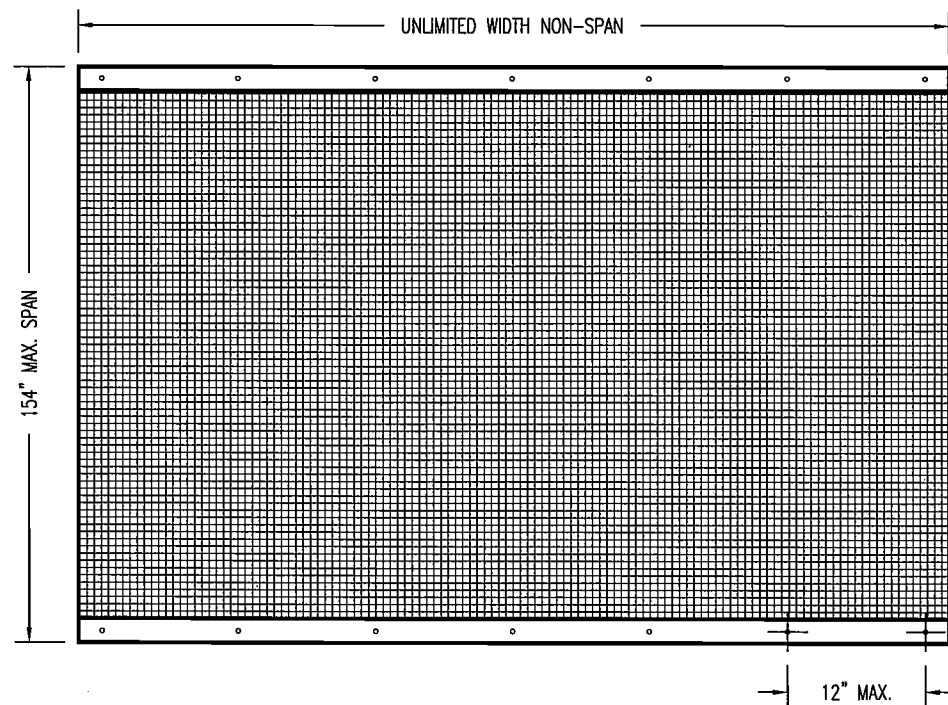
REVISION	BY	REVISION DESCRIPTION	DATE



OPT. 1 MULTI-PANEL VERTICAL INSTALL DETAIL



OPT. 2 MULTI-PANEL VERTICAL INSTALL DETAIL



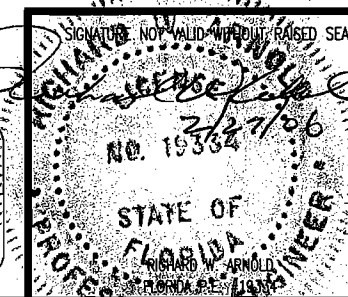
SINGLE PANEL VERTICAL INSTALL DETAIL

MOUNTING NOTES:
SCREEN CAN BE MOUNTED VERTICALLY OR HORIZONTALLY.

MAX. DESIGN PRESSURE = ±60.0 PSF

GROMMET TWO SIDE ATTACHMENT INSTALLATION DETAILS

ENGINEERING REVIEW BY:
ARNOLD/SANDERS CONSULTING ENGINEERS, INC.
16681 MCGREGOR BLVD., SUITE 202
FORT MYERS, FL 33908
PHONE: (239) 267-3666



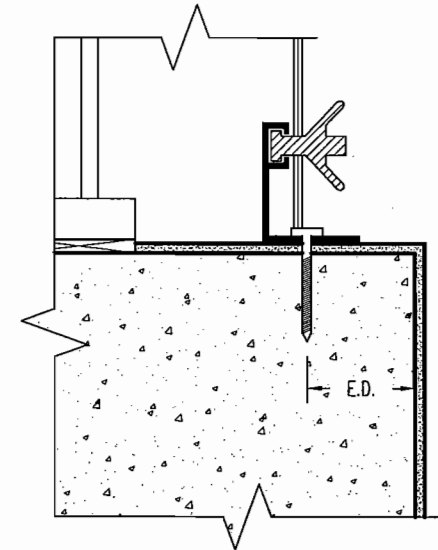
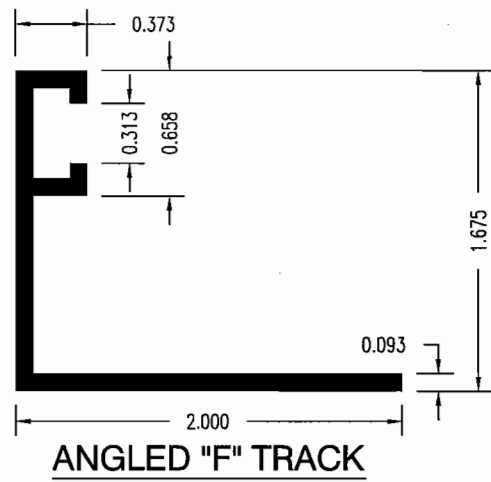
**Storm Catcher
Wind Abatement Screen System**

STORM CATCHER, INC.
6213 IDLEWILD STREET, FORT MYERS, FL 33912
(239) 938-2760 <http://www.stormcatcher.net> JN: 4731

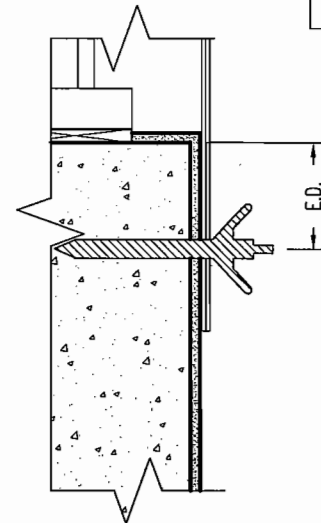
DATE: 23 FEB. 2006 DRAWING: SC 02-06 REV.:

SCALE: NOT TO SCALE SHEET: 5 OF 8

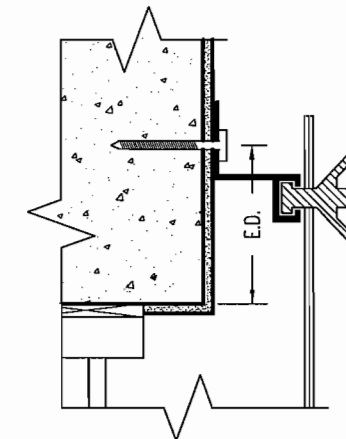
REVISION	BY	REVISION DESCRIPTION	DATE



ANGLED "F" TRACK INSTALL



DIRECT MOUNT INSTALL

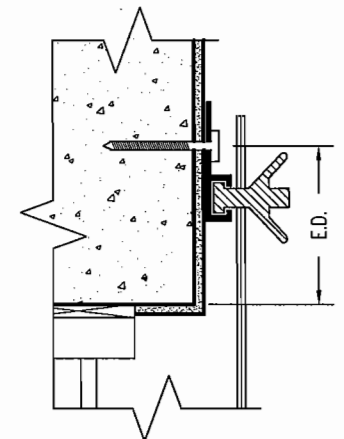


BUILD-OUT "F" TRACK INSTALL

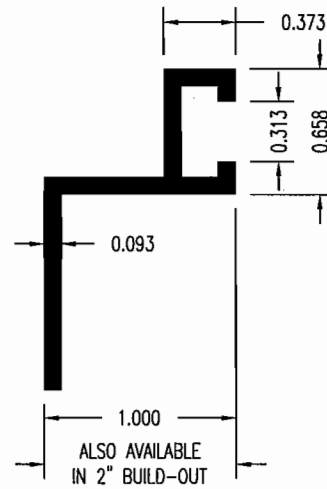
ALL POINTS FASTENERS:
 MALE PANEL MATE
 FEMALE PANEL MATE
 PANEL MATE PRO
 1/4"Ø POWERS CALK-IN ANCHORS

TAPCON FASTENERS:
 1/4"Øx2-1/4" MASONRY SCREWS

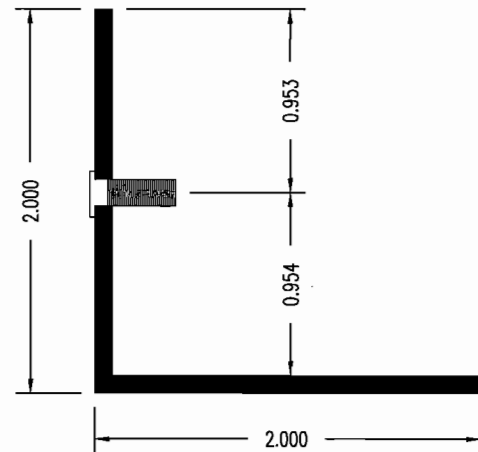
E.D.= TYPICAL EDGE DISTANCE, SEE SHEET 7 OF 8



STANDARD "F" TRACK INSTALL



BUILD-OUT "F" TRACK



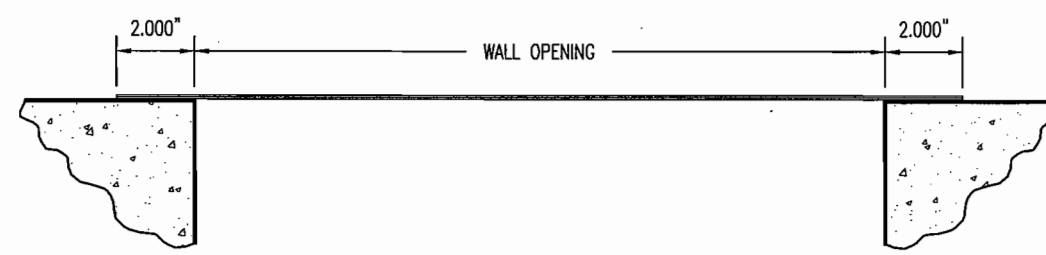
STUDED ANGLE TRACK

1/4"Ø ANCHOR SCHEDULE								
CONCRETE AND/OR SOLID FILLED CA90 CMU (FOR ALL FASTENERS LISTED)								
D.P.	SPAN	155"	135"	115"	85"	65"	45"	25"
40 PSF	12"	12"	12"	12"	12"	12"	12"	12"
50 PSF	12"	12"	12"	12"	12"	12"	12"	12"
60 PSF	6"	6"	6"	6"	6"	6"	6"	6"
CA90 HOLLOW CMU (FOR ALL FASTENERS LISTED)								
D.P.	SPAN	155"	135"	115"	85"	65"	45"	25"
40 PSF	12"	12"	12"	12"	12"	12"	12"	12"
50 PSF	6"	12"	12"	12"	12"	12"	12"	12"
60 PSF	6"	6"	6"	6"	6"	6"	12"	12"
WOOD (FOR TAPCON SCREWS, PANEL MATE SCREWS OR LAG BOLTS ONLY)								
D.P.	SPAN	155"	135"	115"	85"	65"	45"	25"
40 PSF	6"	8"	9"	12"	12"	12"	12"	12"
50 PSF	5"	6"	7"	10"	12"	12"	12"	12"
60 PSF	4"	5"	6"	8"	11"	12"	12"	12"
CA90 CMU OR CONCRETE 1" OR 2" BUILD-OUT (FOR TAPCON SCREWS ONLY)								
D.P.	SPAN	155"	135"	115"	85"	65"	45"	25"
40 PSF	6"	8"	9"	12"	12"	12"	12"	12"
50 PSF	5"	6"	7"	10"	12"	12"	12"	12"
60 PSF	4"	5"	6"	8"	11"	12"	12"	12"

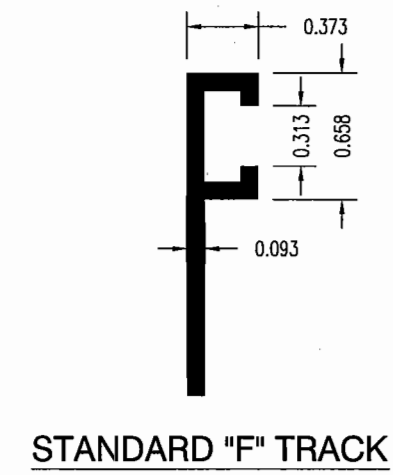
- ANCHOR NOTES:**
- A. ALL FASTENER LENGTHS SHOWN ARE MINIMUM REQUIRED EMBEDMENT.
 - B. EMBEDMENT AND EDGE DISTANCE SHOWN ARE BEYOND THE WALL AND FLOOR COVERINGS (i.e. STUCCO, TILE, ETC.).
 - C. NO EMBEDMENT INTO STUCCO, TILE, ETC., SHALL BE CONSIDERED PART OF THE REQUIRED EMBEDMENT.

MAX. DESIGN PRESSURE = ±60.0 PSF

GROMMET TWO SIDE ATTACHMENT INSTALLATION DETAILS

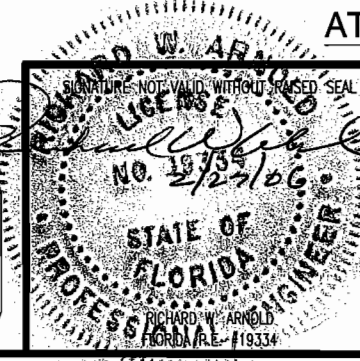


NON-SPAN HORIZONTAL SECTION



STANDARD "F" TRACK

ENGINEERING REVIEW BY:
 ARNOLD/SANDERS CONSULTING ENGINEERS, INC.
 16681 MCGREGOR BLVD., SUITE 202
 FORT MYERS, FL 33908
 PHONE: (239) 267-3666



Storm Catcher Wind Abatement Screen System

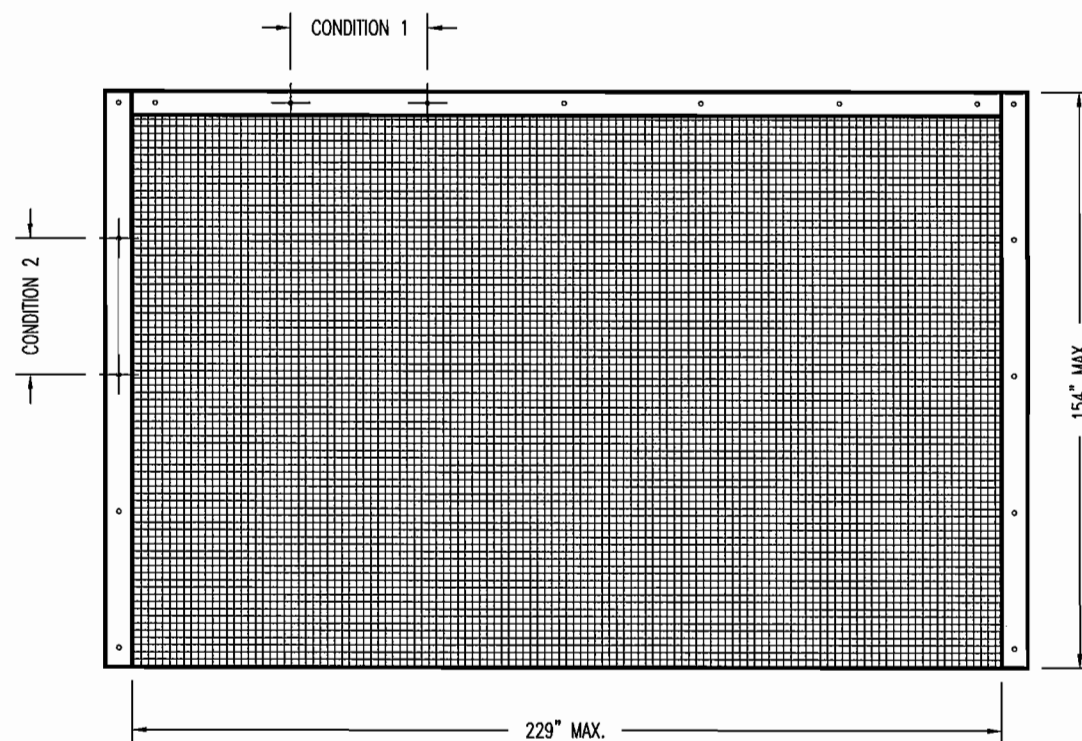
STORM CATCHER, INC.
 6213 IDLEWILD STREET, FORT MYERS, FL 33912
 (239) 938-2760 <http://www.stormcatcher.net> JN: 4731

DATE: 23 FEB. 2006	DRAWING: SC 02-06	REV.:
SCALE: NOT TO SCALE	SHEET: 6 OF 8	

REVISION	BY	REVISION DESCRIPTION	DATE

TOP ANCHORS: (CONDITION 1)	
ANCHOR TYPE	ANCHOR SPACING
1/4"Ø MALE PANELMATE	12"
1/4"Ø FEMALE PANELMATE	12"
1/4"Ø CALK-IN	12"
1/4"Ø TAPCON	12"
3/8"Øx4" EYE HOOK BOLT	18"
1/2"Øx4" EYE HOOK BOLT	24"

SIDE ANCHORS: (CONDITION 2)	
ANCHOR TYPE	ANCHOR SPACING
1/4"Ø MALE PANELMATE	4"
1/4"Ø FEMALE PANELMATE	4"
1/4"Ø TAPCON	4"
3/8"Øx3" EYE HOOK BOLT	8"
3/8"Øx4" EYE HOOK BOLT	8"
1/2"Øx4" EYE HOOK BOLT	16"



SINGLE PANEL 3 SIDE GROMMET INSTALLATION DETAIL

MAXIMUM ANCHORS SPACING SHOWN ON THIS SHEET IS VALID FOR 3-1/2" EDGE DISTANCE. FOR EDGE DISTANCE LESS THAN 3-1/2", REDUCE ANCHORS SPACING BY MULTIPLYING SPACING BY THE FOLLOWING FACTORS: THIS REDUCTION OF ANCHOR SPACING SHALL ONLY BE PERFORMED UP TO A MIN. REDUCED SPACING OF 3" O.C.

EDGE DIST.	3.00"	2.50"	2.00"
FACTOR	.86	.71	.50

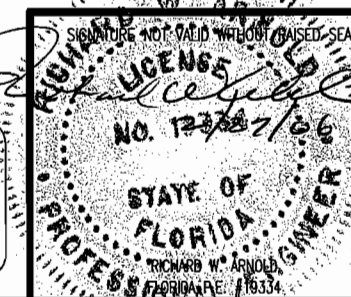
TYPICAL EDGE DISTANCE IN WOOD = 1-1/4", NO REDUCTION FACTOR IS REQUIRED

MAX. DESIGN PRESSURE = ±60.0 PSF

GROMMET THREE SIDE ATTACHMENT INSTALLATION DETAILS

ANCHOR NOTES:
 A. ALL FASTENER LENGTHS SHOWN ARE MINIMUM REQUIRED EMBEDMENT.
 B. EMBEDMENT AND EDGE DISTANCE SHOWN ARE BEYOND THE WALL AND FLOOR COVERINGS (i.e. STUCCO, TILE, ETC.).
 C. NO EMBEDMENT INTO STUCCO, TILE, ETC., SHALL BE CONSIDERED PART OF THE REQUIRED EMBEDMENT.

ENGINEERING REVIEW BY:
 ARNOLD/SANDERS CONSULTING ENGINEERS, INC.
 16681 MCGREGOR BLVD., SUITE 202
 FORT MYERS, FL 33908
 PHONE: (239) 267-3666

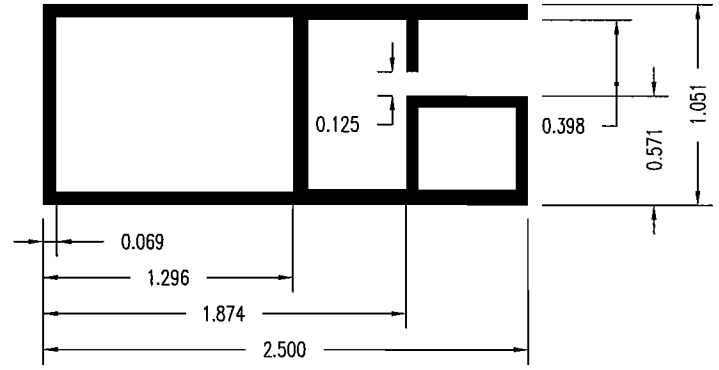


Storm Catcher Wind Abatement Screen System

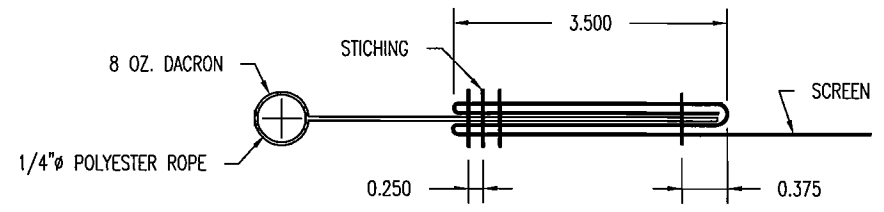
STORM CATCHER, INC.
 6213 IDLEWILD STREET, FORT MYERS, FL 33912
 (239) 938-2760 <http://www.stormcatcher.net> JN: 4731

DATE: 23 FEB. 2006	DRAWING: SC 02-06	REV.:
SCALE: NOT TO SCALE	SHEET: 7 OF 8	

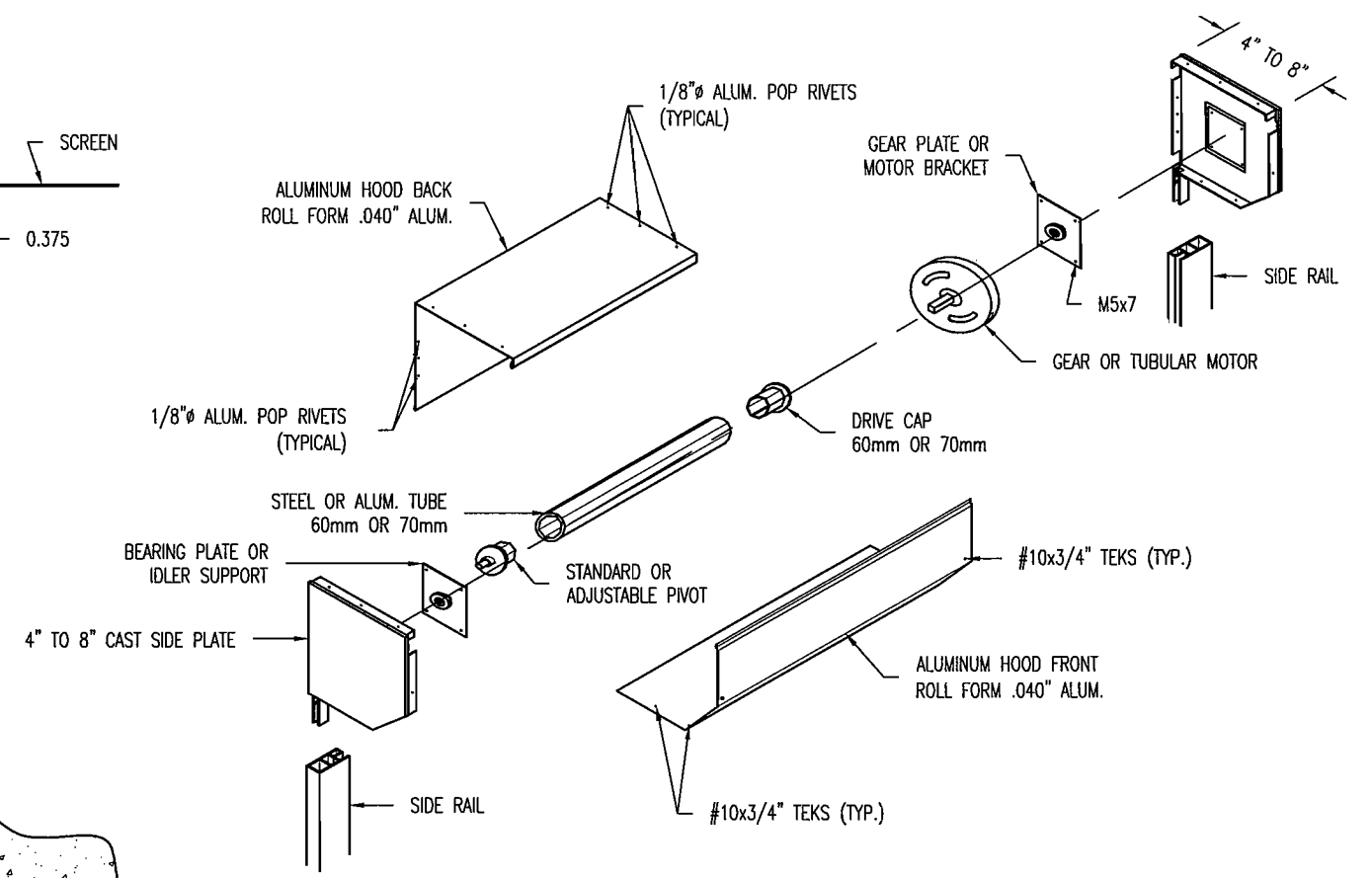
REVISION	BY	REVISION DESCRIPTION	DATE



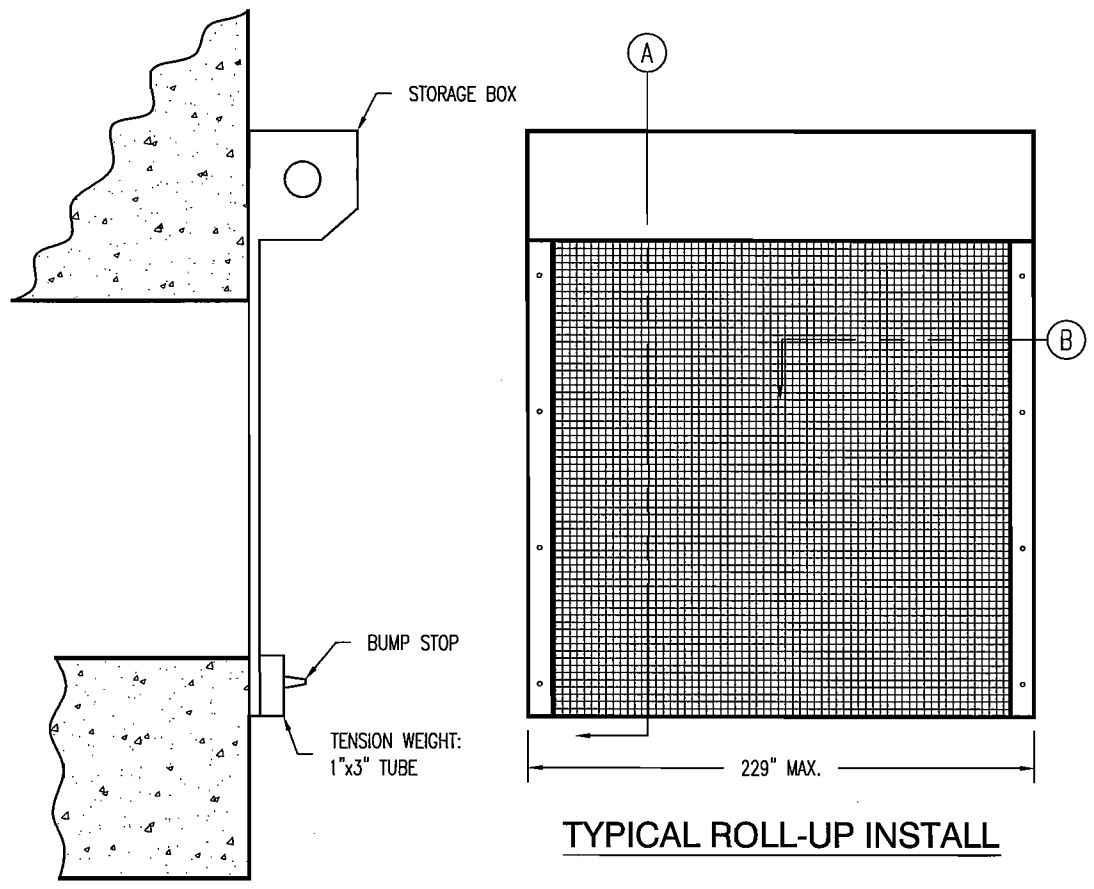
6063-T6 ALUMINUM SIDE RAIL



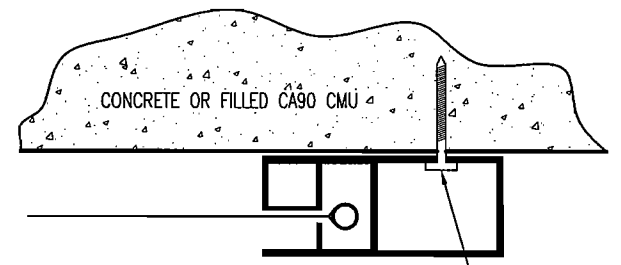
STITCHING DETAIL



END CAP SYSTEM STORAGE BOX ASSEMBLY DETAIL



TYPICAL ROLL-UP INSTALL



SECTION: B

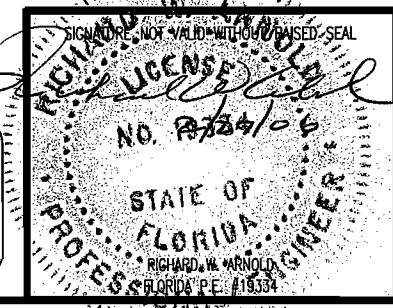
5/16" ELCO TAPCON @12" O.C. FOR SPAN UP TO 140"
 5/16" ELCO TAPCON @6" O.C. FOR SPAN UP TO 229"
 MIN. EDGE DISTANCE = 3"
 MIN. EMBEDMENT = 2"

MAX. DESIGN PRESSURE = ±60.0 PSF

ROLL-UP TWO SIDE ATTACHMENT INSTALLATION DETAILS

SECTION: A

ENGINEERING REVIEW BY:
 ARNOLD/SANDERS CONSULTING ENGINEERS, INC.
 16681 MCGREGOR BLVD., SUITE 202
 FORT MYERS, FL 33908
 PHONE: (239) 267-3666



Storm Catcher Wind Abatement Screen System		
STORM CATCHER, INC. 6213 IDLEWILD STREET, FORT MYERS, FL 33912 (239) 938-2760 http://www.stormcatcher.net		
DATE: 23 FEB. 2006	DRAWING: SC 02-06	REV.:
SCALE: NOT TO SCALE	SHEET: 8 OF 8	

JN: 4731